



EXPLODED VIEW & PARTS LIST

Model T4 CO₂ Air Pistol (.177 Caliber 4.5 mm)

CROSMAN CORPORATION
RT 5 & 20
EAST BLOOMFIELD, NY 14443

Phone: 1-800-724-7486
Parts Order Fax: 585-657-5405

T4 & T4OPTS PART LIST

Part Number	Description
1	T4-104 Magazine Assembly
1A	T4-013 Racetrack
1B	T4-017 Pin, Bushing
1C	T4-029 Bushing, Cartridge
1D	T4-027 E-Ring
1E	T4A028 Support, Cylinder
1F	T4A040 Magazine Clip
1G	T4-039 Screw
1H	T4A012 Magazine Housing
1I	T4-014 Base Plate
1J	T4-019 Flat Spring
1K	T4-026 Support Spring
2	T4-101 Shroud Assembly
2A	T4-005 Barrel
2B	T4-031 E-Ring
2C	T4-004 Shroud, R.H.
2D	106-015 Index Pawl
2E	106-014 Index Lever
2F	106-016 Spring, Index
2G	T4-006 Shroud L.H.
3	T4-032 Spring, Guide Pin
4	T4-033 Spring, Shroud Release
5	T4-032 E-Ring
6	T4-002 Slide, Printed
7	T4-020 Rear Sight
8	T4-025 4-40 Insert
9	T4-021 Side Block
10	40-023 Screw, Shroud
11	T4-105 Fire Control Assembly
12	T4-100 Frame
13	T4-018 Piercing Lever
14	T4-003 Backstrap
15	T4-023 Pin
16	T4-036 Safety Insert
17	106A029 Safety
18	T4-022 Pin
19	T4-035 Spring, Detent
20	T4-024 Lockup
21	T4-011 Release Lever
22	T4-007 Latch
23	T4-016 Interlock
24	T4-034 Spring, Interlock
26	T4-010 Housing, L.H.
27	106A010 Detent Body
28	106B011 Detent

Part Number	Description
29	T4-035 Spring, Detent
30	T4-106 Valve Assembly
30A	338-041 Guide Collar, Valve
30B	38-128 End Seal
30C	T4-041 Piercing Pin
30D	38-028 Piercing Screen
30E	106D009 Valve Body
30F	106-005 O-Ring
30G	2200-045 Spring, Check Valve
30H	40A028 Valve Stem
30I	2-150 Puck Assembly
30J	10604 Retaining Ring
30L	1077-053 Valve Washer
30K	130-034 O-Ring
31	T4-009 Housing, R.H.
32	T4-103 Hammer Assembly
33	106A034 Safety Link
34	106-031 Spring, Trigger
35	106A026 Trigger

T4OPTS

36	T4AC-996	Compensator Assembly
37	T4AC-997	Quad Rail Right
38	T4AC-998	Quad Rail Left

● This parts list is intended to be an informational guide in ordering parts. It is not instructional material and we therefore assume no responsibility for those who use the same without proper factory training.

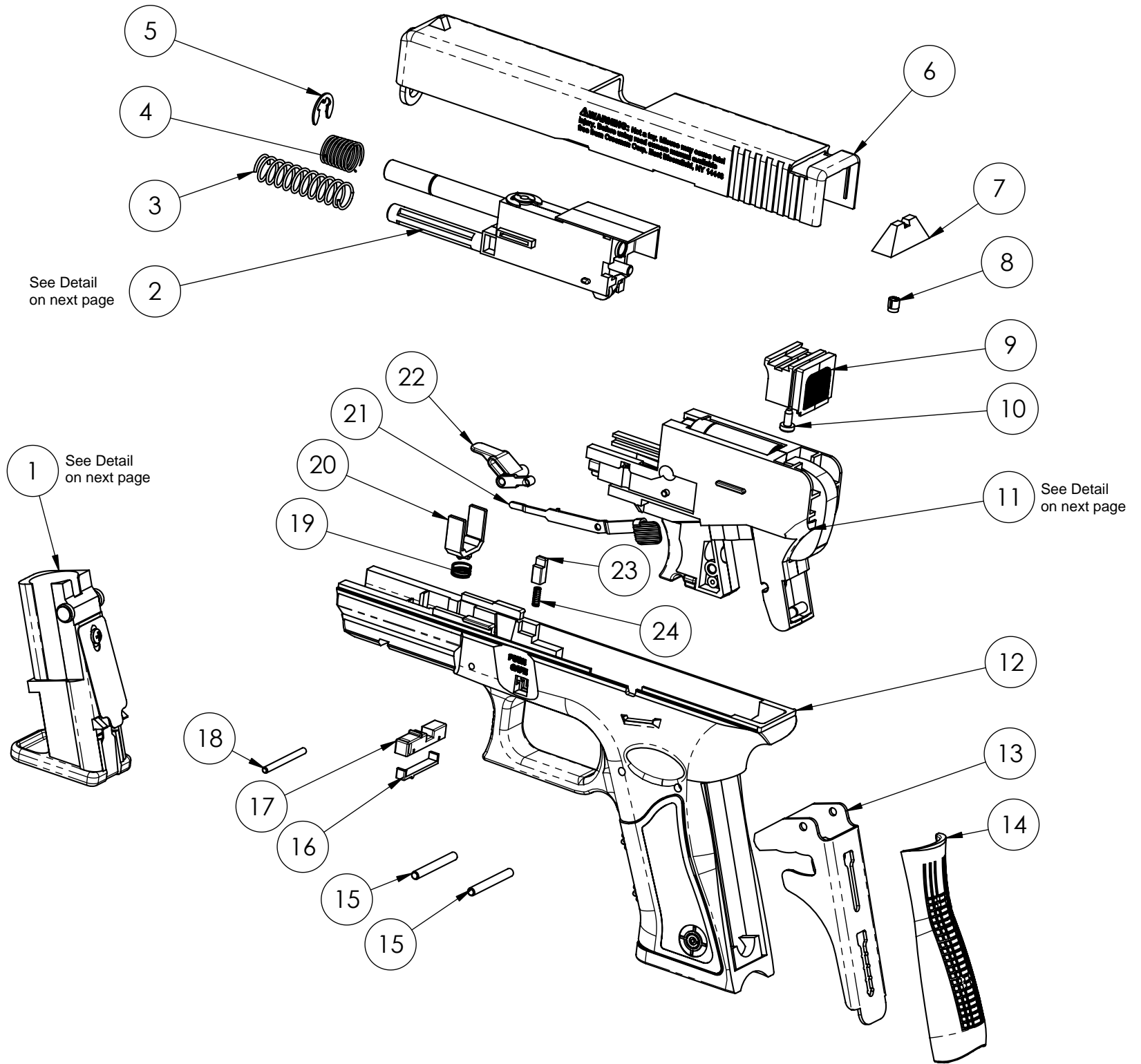
● Please order by part number and description

● Check or money order for the total price must accompany the order.

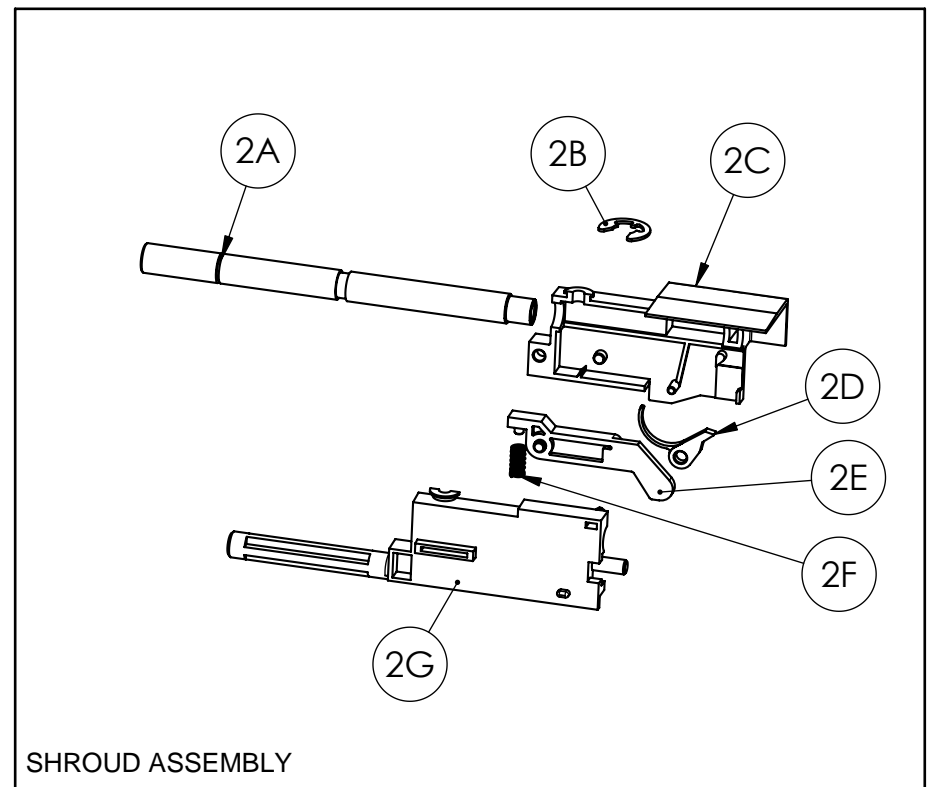
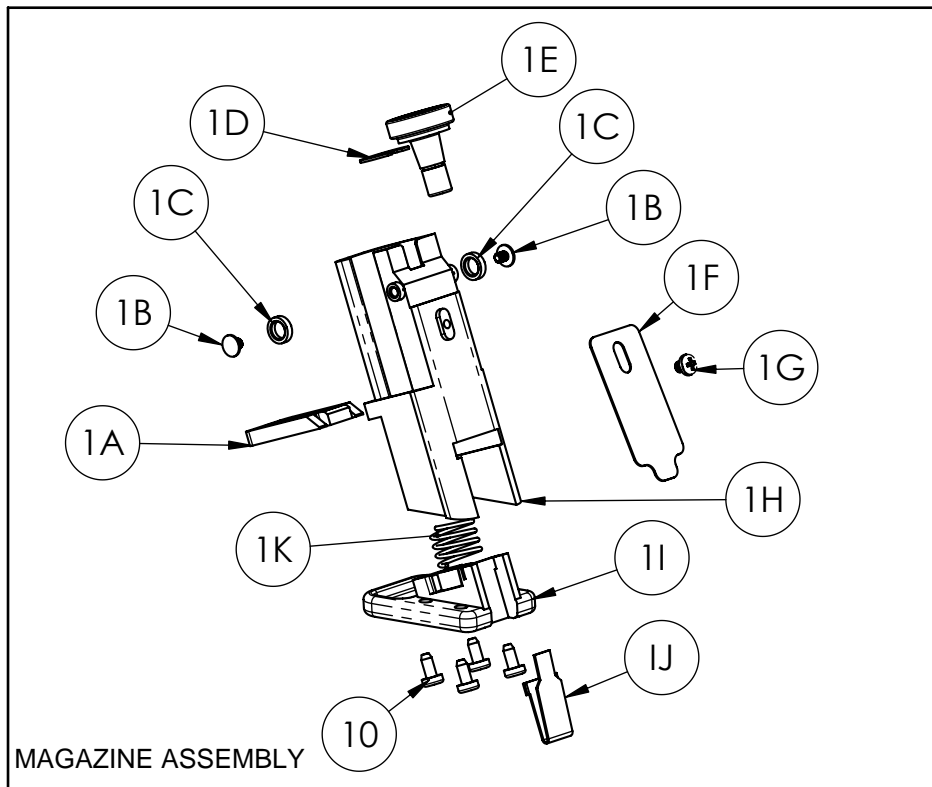
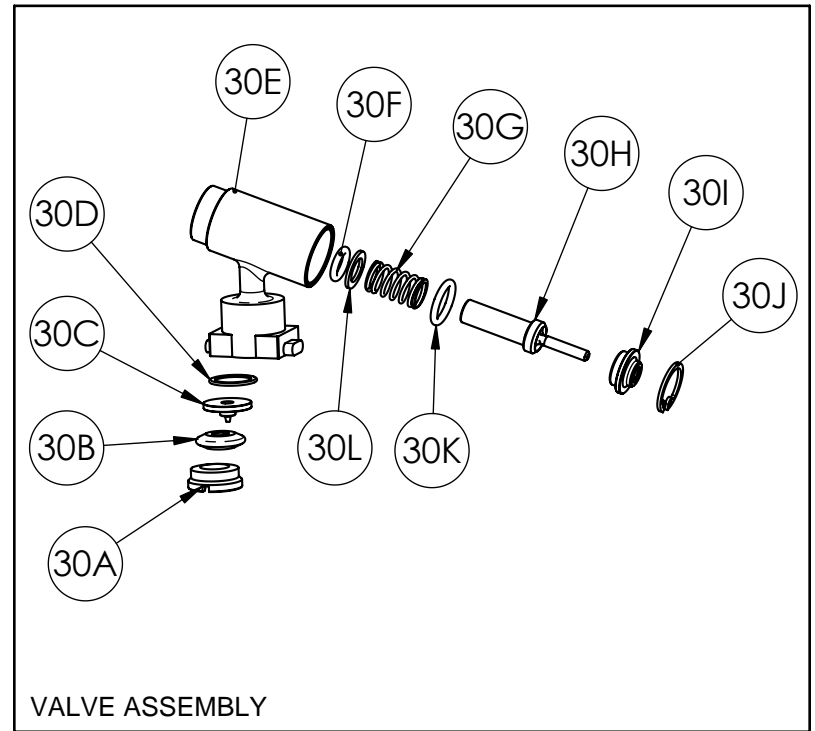
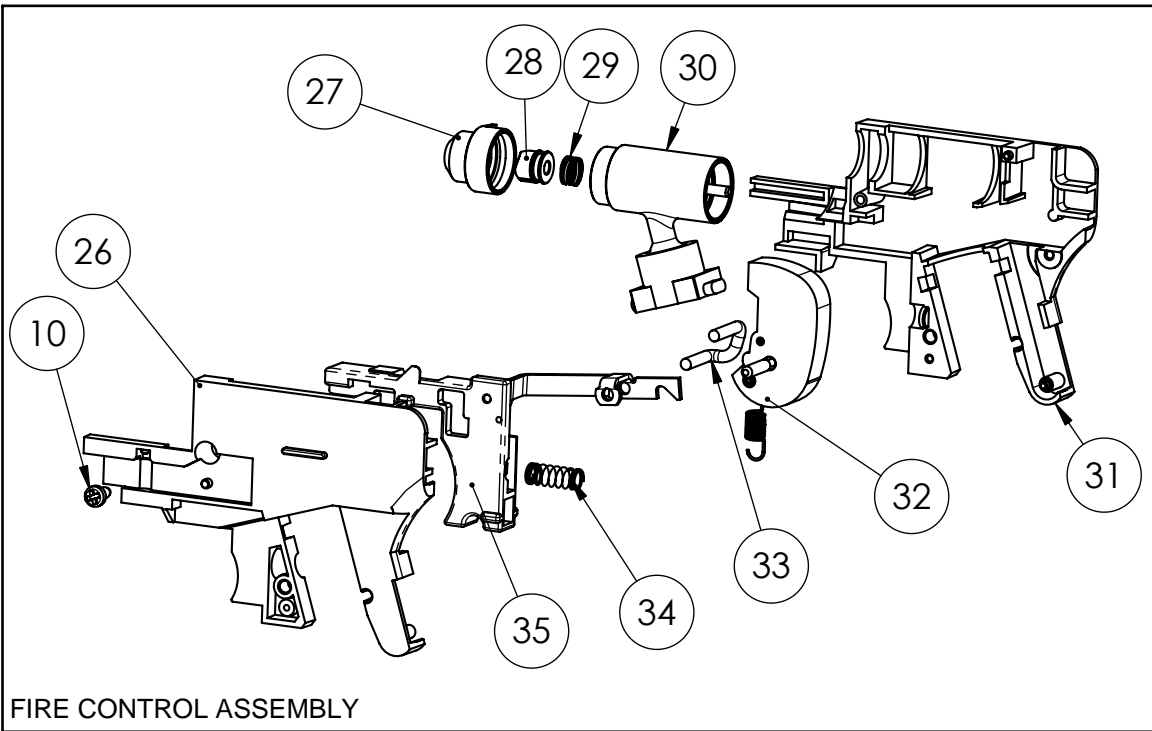
● For current prices contact Crosman Corporation at 800-824-7486 or visit our website

www.crosman.com

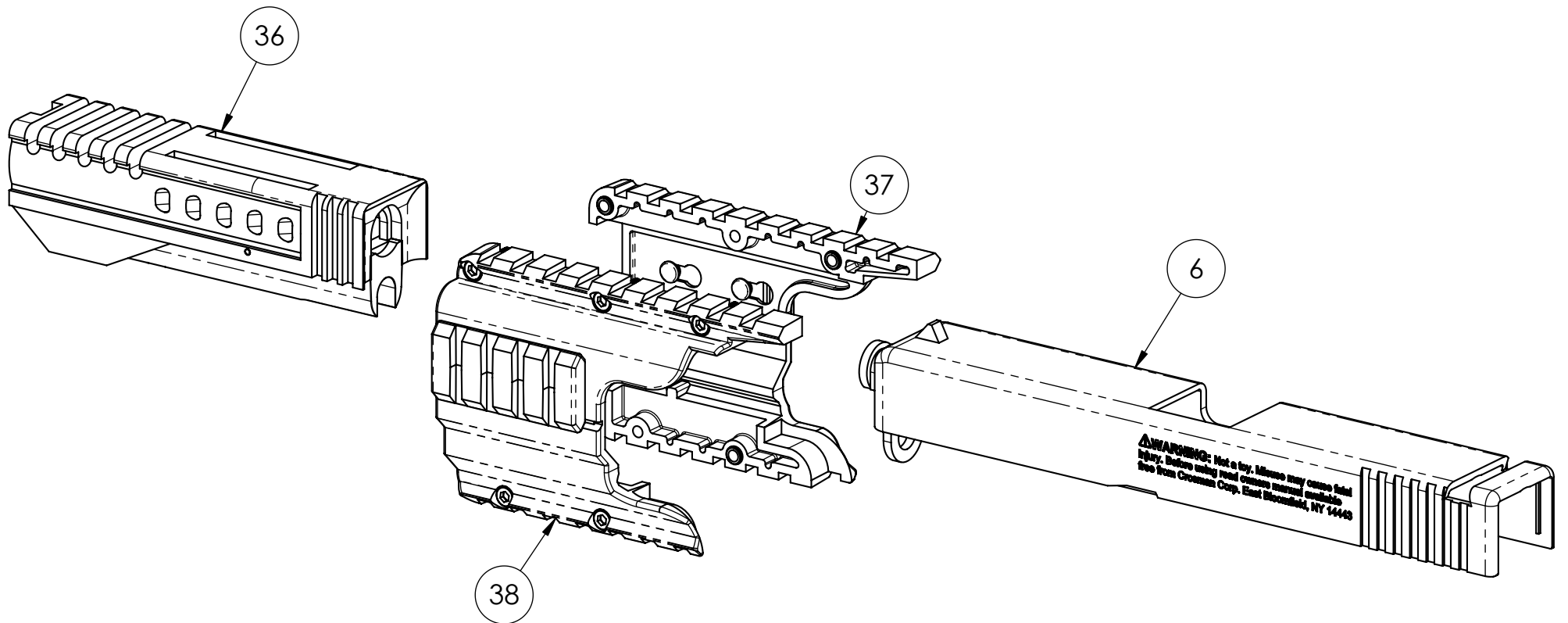
Updated 11/15/06



T4



T4



T4*ops*