

Owner's Manual



CP99

CO2 Air Pistol

.177 cal. (4.5 mm) Pellet

patented

⚠ WARNING: Not a toy. Adult supervision required. Misuse or careless use may cause serious injury or death. May be dangerous up to 350 yards (320 meters).

YOU AND OTHERS WITH YOU SHOULD ALWAYS WEAR SHOOTING GLASSES TO PROTECT YOUR EYES. READ ALL INSTRUCTIONS BEFORE USING. BUYER AND USER HAVE THE DUTY TO OBEY ALL LAWS ABOUT THE USE AND OWNERSHIP OF THIS AIRGUN.

THIS AIRGUN IS INTENDED FOR USE BY THOSE 16 YEARS OF AGE OR OLDER.

8.412.80.10.U.06-06.3.18

⚠ WARNING: Lead pellets. Do not inhale dust or put pellets in mouth. Wash hands after handling. This product contains lead, a chemical known to the State of California to cause cancer and birth defects (or other reproductive harm).

Please read this owner's manual completely. This air pistol is not a toy. Treat it with the same respect you would a firearm. Always carefully follow the safety instructions found in this owner's manual and keep this manual in a safe place for future use.

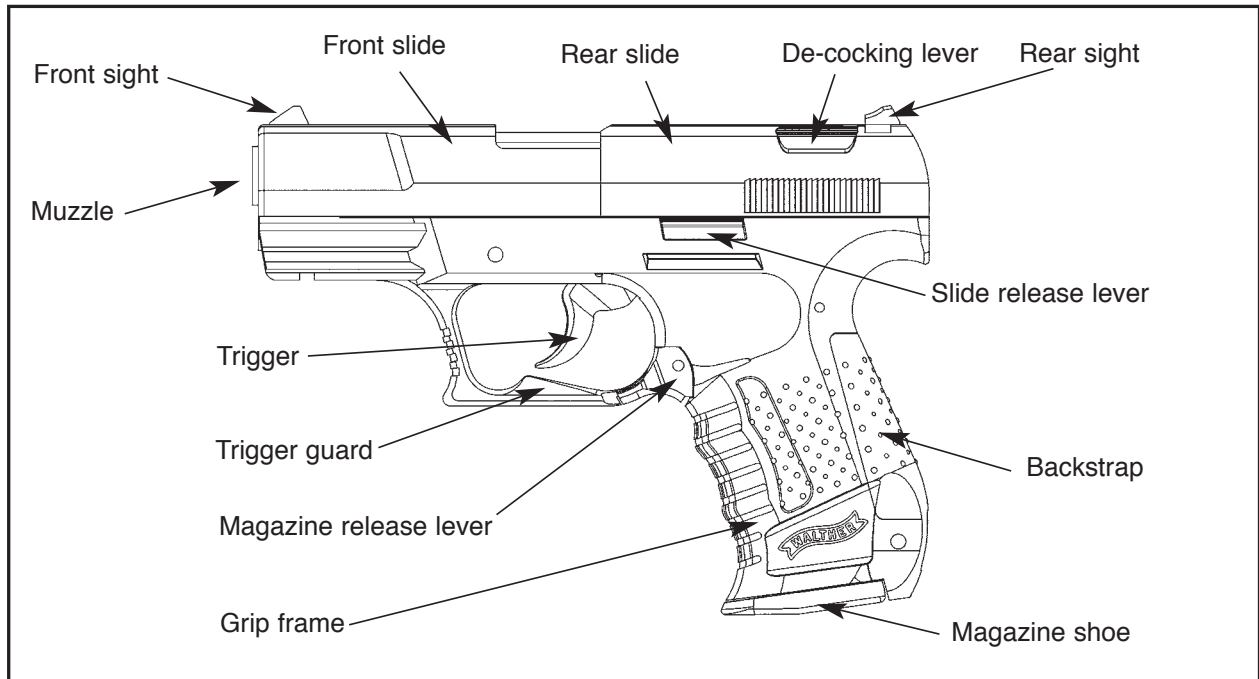
If you have any questions regarding your new air pistol, please contact Umarex USA Customer Service at

Umarex USA Inc.
6007 South 29th Street
Fort Smith, AR 72908 USA
Phone: (479) 646 - 4210
Fax: (479) 646 - 4206
www.umarex-usa.com

	Content	Page
1	Components of your new pistol	3
2	Handling the safety	4
3	Insertion and removal of the CO ₂ cartridge	5 - 6
4	Loading and unloading the air gun	7 - 8
5	Safe aiming and shooting	8 - 9
6	Adjusting the sight	10
7	Removing the backstrap	10
8	Use and handling of CO ₂ cartridges	10 - 11
9	Removing a jammed pellet	12
10	Storage	12
11	Care and Maintenance	13
12	Safety Review	13 - 14
13	Technical Data	15
14	Warranty	16
15	Problems	17
	Contact details	17

1. Get to know the components of your new air pistol

Familiarity with the components of your pistol will help you to understand this instruction manual. Read this manual in order to better enjoy the use of your new weapon.



2. Handling the safety

⚠ WARNING: Keep the air pistol in the "ON SAFE" position until you are actually ready to shoot. Then push the safety to the "OFF SAFE" position.

2.1 To Put The Air Pistol "ON SAFE":

- Locate the safety on the right hand side of the receiver.
- Push the safety forward, toward the muzzle end of the air pistol (Fig. 1). **The safety is not "On Safe" unless it is pushed forward all the way and the RED dot and the "F" on the grip frame are not showing.**

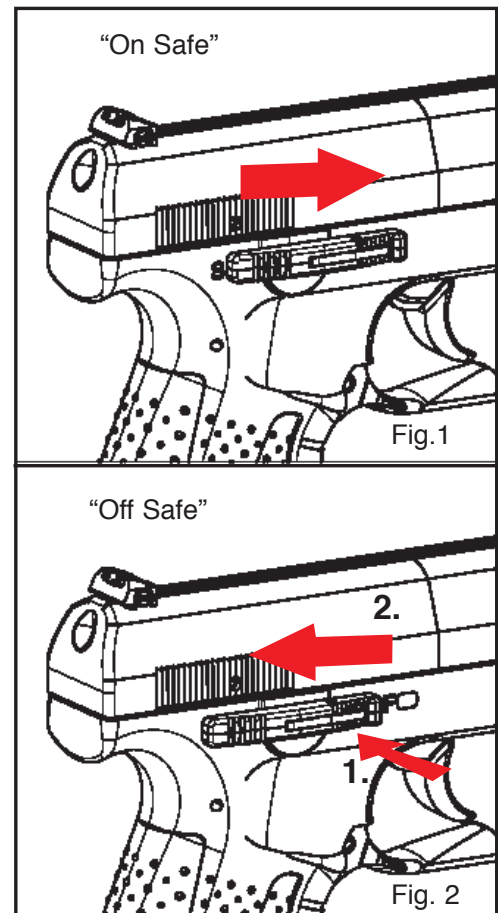
Like all mechanical devices, an air pistol safety can fail.

Even when the safety is "On Safe", you should continue to handle the air pistol safely. Do not ever point the air pistol at any person. Do not ever point the air pistol at anything you do not intend to shoot.

2.2 To Take The Air Pistol "OFF SAFE":

- Locate the latch on the safety (Fig. 2)
- Push in the latch on the safety (1.) and slide the safety rearward (2.) toward the rear sight.

When you can see the RED dot and the "F" on the grip frame, the air pistol is "Off Safe" and can be fired.



3. Insertion and Removal of CO₂ cartridges

⚠ WARNING: CO₂ cartridges may explode at temperatures above 122° F (50° C). Do not mutilate or incinerate them. Do not expose them to heat or store CO₂ cartridges at temperatures above 122°F (50°C).

⚠ WARNING: Keep hands away from escaping CO₂ gas. It can cause frostbite if allowed to come in contact with skin.

3.1 Inserting the CO₂ cartridge

- Make sure the air pistol is "On Safe" (See **Step 2.1**).
- Make sure the air pistol is unloaded (See **Step 4.2**).
- Point the air pistol in a SAFE DIRECTION.
- While supporting the bottom of the grip with your hand to catch the magazine, press the magazine release lever and remove the magazine from the bottom of the grip (Fig 3).
- Turn the magazine shoe clockwise towards "OPEN" (Fig. 4).
- If a CO₂ cartridge is already installed, See **Step 3.2 - Removing the CO₂ cartridge**.
- Insert the CO₂ cartridge with the small neck of the cartridge pointing upward toward the top of the magazine (Fig. 5).
- Tighten the cartridge into place by turning brass retaining screw clockwise (up) until secure and close the magazine shoe by turning counterclockwise towards "POWER" (Fig. 6) to pierce the CO₂ cartridge.
- Insert the magazine up into the bottom of the grip until it locks into place (Fig. 7).
- With the air pistol unloaded (See **Step 4.2**) and pointed in a SAFE DIRECTION, take "Off Safe" (See **Step 2.2**) and squeeze the trigger to fire. **If your air pistol does not make a popping noise after pulling the trigger, the CO₂ is not being discharged.** In that event you will have to put the air pistol "On Safe" (See **Step 2.1**), remove the CO₂ cartridge (See **Step 3.2**), and re-insert the CO₂ cartridge **as described in Step 3.1**, point in a SAFE DIRECTION, take "Off Safe" (See **Step 2.2**) and squeeze the trigger to fire.

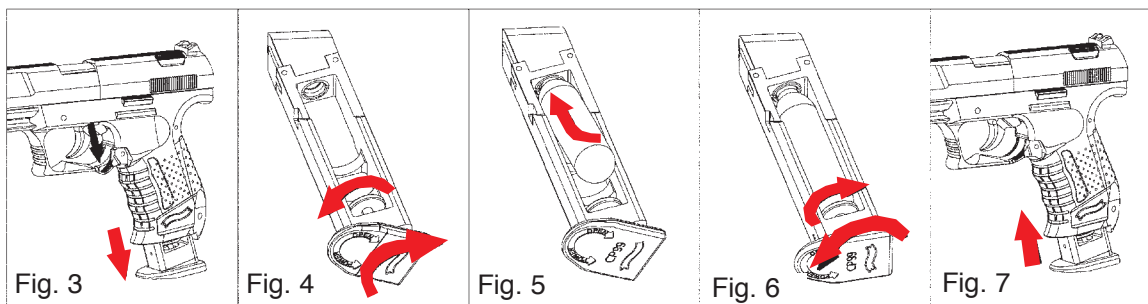
3.2 Removing the CO₂ cartridge

- Make sure the air pistol is "On Safe" (See **Step 2.1**).
- Make sure the air pistol is unloaded (See **Step 4.2**).
- Point the air pistol in a SAFE DIRECTION.
- While supporting the bottom of the grip with your hand to catch the magazine, press the magazine release lever and remove the magazine from the bottom of the grip (See **Fig. 3**).
- Turn the magazine shoe clockwise towards "OPEN" (See **Fig. 4**).
- **Slowly** turn the brass cartridge retaining screw counter clockwise (down) until it stops; allowing any remaining CO₂ gas to escape (See **Fig. 4**).
- Remove the CO₂ cartridge.

NOTE: High temperatures may cause damage to the air pistol. The maximum temperature for the storage or use of this air pistol should not exceed 122°F (50°C). This temperature can easily be reached when the air pistol is exposed to direct sunlight.

FIRING THE AIR PISTOL WITH LOW GAS PRESSURE MAY CAUSE A PELLET TO GET STUCK IN THE BARREL.

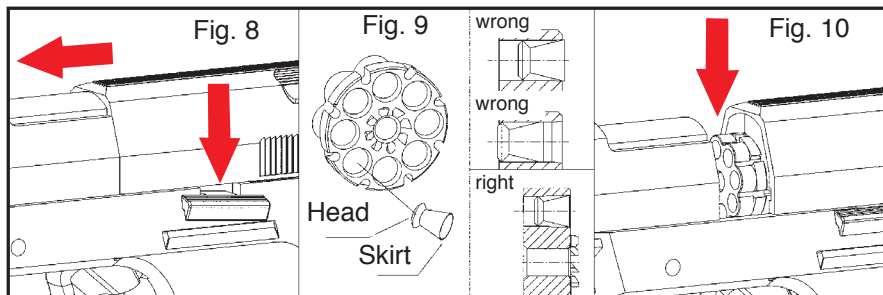
Never try to force any CO₂ cartridge into or out of place as it may result in injury to you or damage to your air pistol. Do not store your air pistol with a CO₂ cartridge in it. This is very important to remember, as it will prolong the longevity of your air pistol seals.



4. Loading and unloading the air gun

⚠ WARNING: Use .177 (4.5mm) caliber pellets only in this air pistol. Never reuse pellets. Use of any other ammunition can cause injury to you or damage to the air pistol.

⚠ WARNING: Do not place your hand or fingers over the muzzle. Always make sure your air pistol is pointing in a SAFE DIRECTION, and keep your finger away from the trigger. Failure to follow this warning may cause serious injury.



4.1 Loading the pistol

- Make sure the air pistol is "On Safe" (See **Step 2.1**).
- Point the air pistol in a SAFE DIRECTION.
- While keeping the air pistol in an upright position (to keep the pellet clip from falling out) **as shown in Fig. 11**, open the slide by pressing the slide release lever down (Fig. 8) until the slide opens and exposes the pellet clip.
- Place a .177 caliber (4.5 mm) pellet, nose first, in each pellet chamber of the pellet clip. (Fig. 9).
IMPORTANT: To avoid jams or deforming the pellets, make sure the pellet skirt is level or slightly below the rim of the pellet chamber.
- Place the pellet clip in the pistol (ratchet teeth facing the rear sight, Fig. 10).
- Close the air pistol by gripping the slide and pushing it back until it locks into place (Fig. 11).
Note: Do not place your hand or fingers over the muzzle when opening or closing the slide.

4.2 Unloading the pistol

- Put air pistol "On Safe" (See **Step 2.1**).
- Open the slide (See **Step 4.1**).
- Remove the pellet clip and close the slide. Using a ramrod, gently push each pellet out of the pellet chamber.
- **IMPORTANT:** Never use sharp metal tools to remove pellets.
- Replace the empty pellet clip (ratchet teeth facing the rear sight) in the pistol (See **Fig. 10**).
- Close the slide by pushing it all the way back until it locks into place (See **Step 4.1 and Fig. 11**).
- Check to make sure the barrel is completely unloaded by pointing the muzzle in a SAFE DIRECTION, taking "OFF SAFE" (See **Step 2.2**) and pulling the trigger to fire. You may also unload your air pistol by following the directions listed under **Step 9 - Removing a jammed pellet**.

5. Safe aiming and shooting

NOTE: This air pistol will function in either "Double Action" or "Single Action" mode. To fire in "Double Action", apply steady pressure to the trigger until the pistol fires. "Single Action" mode means that the internal striker has to be manually cocked prior to firing. To use "Single Action" mode, grip the rear part of the slide and pull it back, release it to allow it to move forward and squeeze the trigger (Fig.12). For rapid-fire shooting, we recommend the "Double Action" mode, for more precise shooting, we recommend the "Single Action" mode.

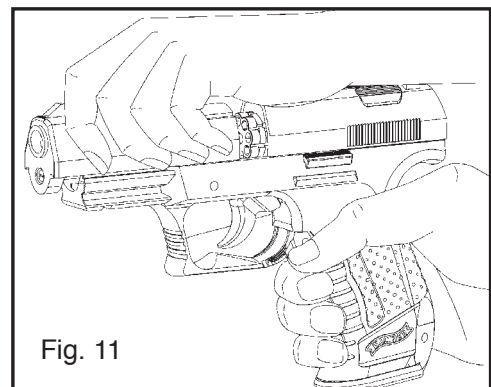


Fig. 11

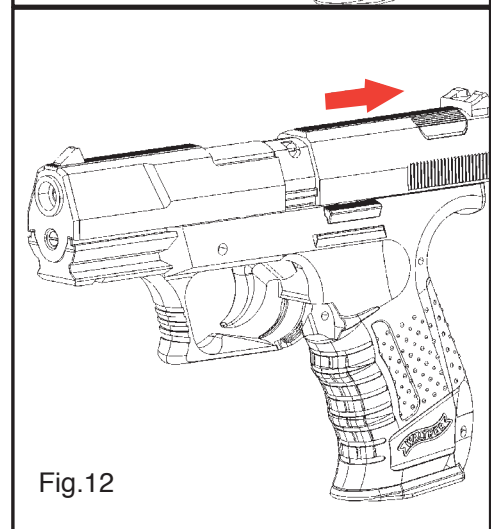
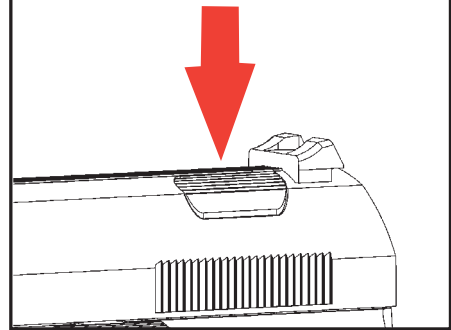


Fig.12

⚠ WARNING: Make sure that the air pistol always points in a safe direction. Never point at people or animals. Always handle the air pistol as if it was loaded and ready to fire.

⚠ WARNING: Due to high shooting velocity of this airgun, take particular care and caution in choosing a safe target. Only choose targets with a safe backstop. Do not choose targets that will cause ricochets. Never shoot at water.

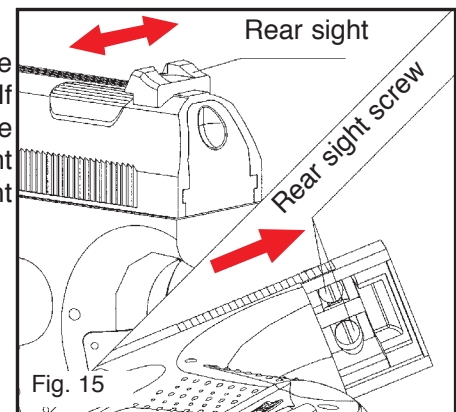
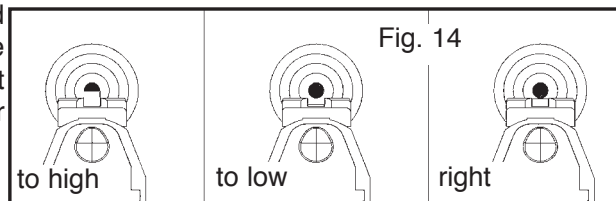
Fig. 13



- You and others with you should always wear shooting glasses to protect your eyes.
- Always aim your air pistol in a SAFE DIRECTION. When you are sure of your target and backstop, and the area around the target is clear, take the air pistol "Off Safe" (See **Step 2.2**) and squeeze the trigger to fire. **NOTE:** In "Single Action" mode, you may de-cock the air pistol by pushing the de-cocking lever while the air pistol is pointed in a SAFE DIRECTION (Fig. 13).
- Do not shoot at hard surfaces or at the surface of water. The pellet may bounce off or ricochet and hit someone or something you had not intended to hit.
- Always choose your target carefully. It is best to shoot at paper bullseye targets, which are attached to a safe backstop. Your backstop should be checked for wear before and after each use. Replace your backstop if the surface is worn or damaged, or if a ricochet occurs.
- Your air pistol is designed for target shooting and is suited for both indoor and outdoor use. Always remember to place your target carefully. THINK about what you will hit if you miss the target.
- The air pistol is correctly aimed when the front sight blade is positioned exactly in the notch of the rear sight. The top of the front sight blade should be even with the top of the notch in the rear sight. The bullseye should appear to rest on the top of the front sight (Fig. 14).

6. Adjusting the sight

The rear sight can be adjusted for windage. This adjustment is made by pulling the rear slide back and loosening the two sight screws. If your air pistol is shooting too far to the right, slide the rear sight to the left. If your air pistol is shooting too far to the left, slide the rear sight to the right (Fig. 15). Fire several test shots to confirm your sight adjustment and then tighten the screws that secure the rear sight.



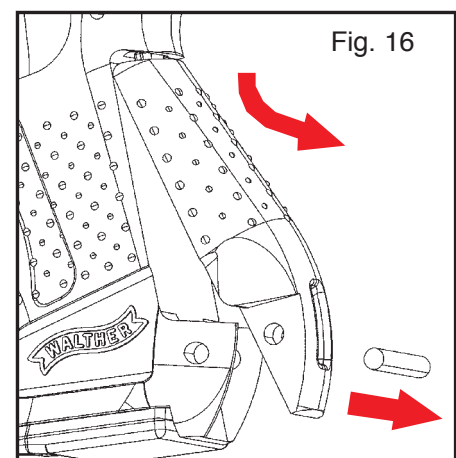
7. Removing the backstrap

Remove the pin and remove the backstrap from the bottom of the grip (Fig. 16).

8. Use and handling of CO₂ cartridges

It is possible that certain conditions may affect a CO₂ pistol, which can impact its proper performance. These conditions include the usage, maintenance, and storage at certain temperatures that are higher or lower than normal outdoors temperatures (from 59°F / 15°C to 69.8°F / 21°C).

Another condition may be when the gun is shot at fast speeds.



1. High temperatures can increase pressure in the CO₂ cartridge and also within the gun, leading to higher than standard operating pressure. This excess pressure could cause the gun to malfunction or be permanently damaged. Maximum storage or operation temperature should never exceed 122°F (50°C). This temperature can be reached if you leave the gun under direct sunlight on a bright day. Thus, to ensure proper gun operation, do not expose it to high temperatures or direct sunlight for long periods of time. Otherwise, the CO₂ cartridge could overheat and explode, which could damage the weapon and cause injuries or death to people around it.

2. Fast consecutive shooting may produce a decrease of temperature in the gun, as well as the CO₂ cartridge. This could lead to a lower muzzle speed, uneven gas pressure.

3. Keep in mind that during a rapid-fire sequence, the muzzle speed will diminish with each shot, which may negatively affect the power of the shot.

4. Try not to shoot the weapon with a CO₂ cartridge that has already lost a considerable portion of its pressure. Here are some indicators of insufficient CO₂ cartridge pressure:

- A) The sound of the shot is not as loud as when the cartridge is full.
- B) The ammunition hits the target, but in a lower position than it would with a full CO₂ cartridge (that is, the shooting speed has dropped).

⚠ WARNING: Shooting with low CO₂ pressure can cause a pellet to get jammed in the barrel. Bear in mind the indications for jams.

⚠ WARNING: A jam is a dangerous situation.

⚠ WARNING: Do not assume that the pistol is unloaded if it fails to fire properly!

9. Removing a jammed pellet

IMPORTANT: The fact that the air pistol does not fire a projectile is never a reason to assume that the pellet clip does not contain any more pellets. Firing the air pistol with too little gas pressure left may cause a pellet to get stuck in the barrel.

- Make sure the air pistol is "ON SAFE" (See 2.1).
- Remove the CO₂ magazine (See 3.2).
- Open the slide and remove the pellet clip.
- Insert a ramrod of the proper size into the muzzle end of the barrel and carefully push the jammed pellet into the loading port (Fig. 10.). **The barrel could be damaged if the proper sized ramrod is not used.**
- Once you have pushed the pellet back into the loading port, shake the air pistol until the jammed pellet falls out.
- Do not try to reuse that pellet.

If you are not able to unjam your air pistol by following this procedure, take no further action.

Umarex USA Inc. or an Authorized Service Station will unjam your air pistol.
(no cost during the warranty period)

10. Storage

⚠ WARNING: Never leave the air gun loaded.

Always store the air gun with the ammunition removed and the safety on. Carefully check that there is no ammunition in the barrel and remove the pellets from the pellet clip. Before storing it, we recommend to also remove the CO₂ cartridges. **Keep the air gun out of the reach** of children and users not familiarized with its use. Store the air gun separately from the pellets and the CO₂ cartridges.

11. Care and Maintenance

If you maintain and care for your air pistol properly, you will be able to enjoy it for many years.

⚠ WARNING: Before you attempt to clean your air pistol, always make sure it is "On Safe" (see **Step 3.1**), the pellet clip is removed and you have checked the barrel to make sure there are no pellets left in it.

To clean the outside, use a soft cloth.

Your air pistol will work best if you put just a drop of oil directly on the tip of the CO₂ cartridge before inserting.

DO NOT use a petroleum distillate based oil or solvent and DO NOT over-oil as this can cause damage to your air pistol.

Occasionally apply between 2 and 3 drops of oil for air guns to the following pieces:

front and rear slide rails and magazine release lever

Tampering with the air pistol or attempts to modify the air pistol in any way may make it unsafe to use and will void the warranty. If you drop your air pistol, check to see that it works properly before you use it again.

If your air pistol is damaged or does not perform properly, call Umarex USA Customer Service for assistance before using your air pistol again.

12. Safety Review

- **Do not ever point the air pistol at any person. Do not ever point the air pistol at anything you do not intend to shoot.**
- Always treat the air pistol as if it was loaded and handle it with the same respect you would a firearm.
- Always aim in a SAFE DIRECTION. Always keep the muzzle of the air pistol pointed in a SAFE DIRECTION.
- Always keep the air pistol on "Safe" until you are ready to shoot in a SAFE DIRECTION.
- Check behind and beyond your target to be certain you have a safe backstop and that no person or property could be endangered.

- This air pistol may only be shot on the owner's property or at shooting ranges allowed by the police, and only if the ammunition does not travel further than the shooting area. Bear in mind the maximum range of the pellet (approximately 350 yards (320 m)).
- Always check to see if the air pistol is on "Safe" and unloaded when getting it from another person or from storage.
- Always keep your finger away from the trigger and away from the trigger guard until ready to shoot.
- You and others with you should always wear shooting glasses to protect your eyes.
- Use only ammunition and an CO₂ cartridge designed for this air pistol.
- Never reuse pellets.
- Do not shoot at hard surfaces or at the surface of water. The pellet may bounce off or ricochet and hit someone or something you had not intended to hit.
- Replace the backstop if it becomes worn. Place the backstop in a location that will be safe should the backstop fail.
- Always store the air pistol with the safety on, unloaded, separated from the ammunition and CO₂ cartridge, and in a safe manner to prevent unauthorized people from accessing it.
- Do not attempt to disassemble or tamper with your air pistol. Use an Authorized Service Station or return it to Umarex USA for repair.
- Do not put the air pistol away loaded. (See **chap. 4.2**).
- Always store this air pistol in a secure location.
- Never leave the air pistol loaded if it is out of your reach.
- Unload the air pistol before giving it to someone else.

13. Technical Data

Mechanism:		Repeater
Caliber/Ammunition:		cal. .177 (4.5 mm) pellets
Magazine capacity:		8 shots
Weight:		1.63 lbs (740 g)
Overall Length:		7 inch (180 mm)
Sights:		
	Front	Fixed Ramp
	Rear	Adjustable for windage
Barrel Length/Material:		3.35 inch (85 mm) / Rifled steel
Power source		12g CO ₂ cartridge
Safety:		Slide style
Velocity:		Up to 360 f/s (109 m/s)

PERFORMANCE

Many factors affect velocity, including brand of projectile, type of projectile, amount of CO₂ in cartridges, lubrication, barrel condition and temperature.

REPAIR SERVICE

If your air pistol needs repair, we recommend that you take or send it to an Authorized Service Station or Unarex USA. **For an Authorized Service Station near you, visit our web site at www.umarex-usa.com or call Customer Service at (479) 646 - 4210.**

(International customers should contact their distributor.) DO NOT ATTEMPT TO DISASSEMBLE IT! Your air pistol requires special tools and fixtures to repair it. If you take it apart, you probably will not be able to reassemble it correctly. Umarex USA assumes no warranty responsibility under such circumstances.

14. Warranty

LIMITED ONE YEAR WARRANTY

This product is warranted to the retail consumer for one year from date of retail purchase against defects in material and workmanship and is transferable.

WHAT IS COVERED

Replacement parts and labor. Transportation charges to consumer for repaired product.

WHAT IS NOT COVERED

Transportation charges to Umarex USA for defective product. Damages caused by abuse or failure to perform normal maintenance. (See **Step 11**) Any other expense. CONSEQUENTIAL DAMAGES, INCIDENTAL DAMAGES, OR INCIDENTAL EXPENSES, INCLUDING DAMAGE TO PROPERTY. SOME STATES DO NOT ALLOW THE EXCLUSION OR LIMITATION OF INCIDENTAL OR CONSEQUENTIAL DAMAGES, SO THE ABOVE LIMITATION OR EXCLUSION MAY NOT APPLY TO YOU.

WARRANTY CLAIMS

Warranty Claims for U.S. and Canadian Customers:

Please return product to your nearest distributor. If you do not know your distributor, please visit www.umarex-usa.com and click on "warranty and repair service" or call (479) 646 - 4210 and ask for our assistance.

IMPLIED WARRANTIES

ANY IMPLIED WARRANTIES, INCLUDING THE IMPLIED WARRANTIES OF MERCHANTABILITY AND FITNESS FOR A PARTICULAR PURPOSE, ARE LIMITED IN DURATION TO ONE YEAR FROM DATE OF RETAIL PURCHASE. SOME STATES DO NOT ALLOW LIMITATIONS ON HOW LONG AN IMPLIED WARRANTY LASTS, SO THE ABOVE LIMITATIONS MAY NOT APPLY TO YOU.

To the extent any provision of this warranty is prohibited by federal, state, or municipal law which cannot be preempted, it shall not be applicable. This warranty gives you specific legal rights, and you may also have other rights which vary from state to state and country to country.

15.Problems

Problems	POSSIBLE REASONS	safety activated	CO ₂ -cartridge empty	dirty barrel	CO ₂ -cartridge is defective	extreme temperatures	incorrect pellets	pellets loaded incorrectly	slide is not properly closed and locked	Incorrect sight adjustment
Bad shooting performance		●	●		●	●	●		●	
Gun does not function	●	●		●		●	●	●		
Low pellet velocity		●	●		●	●	●			

Distributed by

UMAREXUSA®

Umarex USA Inc.
6007 South 29th Street
Fort Smith, AR 72908 USA
Phone: (479) 646 - 4210
Fax: (479) 646 - 4206
www.umarex-usa.com